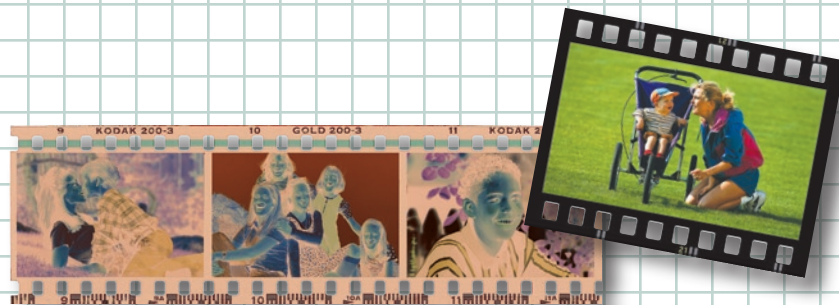


# S-900/1700SA

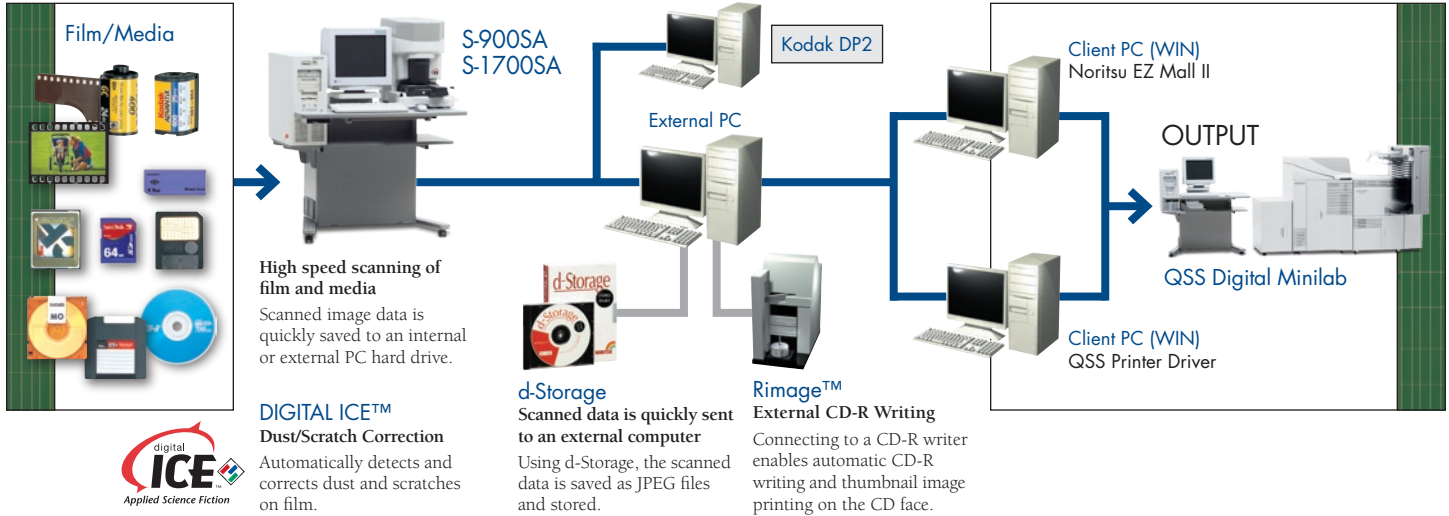
## Stand Alone Scanner



A HIGH SPEED/STAND ALONE SCANNER  
FOR BOTH FILM AND MEDIA

# NORITSU

# S-900/1700SA Stand Alone Scanner



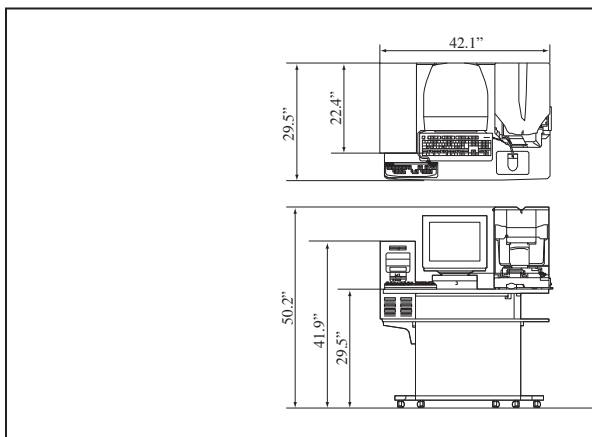
| S-900SA/1700SA                  | SPECIFICATIONS   |
|---------------------------------|--|
| <b>LIGHT SOURCE OF SCANNER:</b> | LED  |
| <b>FILM SIZE:</b>               | 110, 135F, 135P, 135FP, 135H, 135HD, IX240 (C,H,P), 120 (6x4.5, 6x6, 6x7, 6x8, 6x9)  |
| <b>FILM TYPES:</b>              | COLOR NEGATIVE AND POSITIVE (INCLUDING MOUNTED) B&W NEGATIVE, SEPIA NEGATIVE   |
| <b>FILM CARRIER:</b>            | STANDARD: 135/240 AFC-II: COMPATIBLE WITH BOTH 135 AND IX240 FILM. LANE CHANGES PERFORMED MANUALLY.<br>OPTIONAL: 120 AFC-II: FILM CARRIER FOR 120 FILM. MINIMUM FILM LENGTH: 1 FRAME.<br>110 AFC-II: FILM CARRIER FOR 110 FILM. COMPATIBLE WITH NEGATIVES ONLY.<br>135/240 MMC-II: CARRIER FOR MOUNTED 135 AND IX240 FILM.<br>135/240 AMC-II: CARRIER FOR MOUNTED 135 AND IX240 FILM.<br>MFC: ATTACHMENTS FOR EACH FILM SIZE ARE SET IN THE MFC TO ENABLE MULTIPLE FILM SUPPORT. |
| <b>COMPATIBLE INPUT MEDIA:</b>  | STANDARD: FLOPPY DISK, CD-ROM, CD-R/RW, ZIP, PC CARD, COMPACTFLASH, SMARTMEDIA, MEMORY STICK, MEMORY STICK PRO (ADAPTER REQUIRED), SD CARD, MMC, MICRODRIVE, xD-PICTURE CARD (ADAPTER REQUIRED)<br>OPTIONAL: MO, DVD-RAM, DVD-R, DVD-ROM, PRINTS (FROM FLATBED SCANNER)  |
| <b>COMPATIBLE OUTPUT MEDIA:</b> | STANDARD: FLOPPY DISK, CD-R, CD-R/RW, PC CARD, COMPACTFLASH, SMARTMEDIA, MEMORY STICK, SD CARD, MMC, MICRODRIVE<br>OPTIONAL: MO, ZIP, DVD-RAM, xD-PICTURE CARD (ADAPTER REQUIRED)  |
| <b>WEIGHT:</b>                  | S-900/1700SA: APPROX. 315.3 LBS.   |
| <b>IMAGE STORAGE:</b>           | COMPACT ARCHIVE UNIT   |

| ESTIMATED PROCESSING CAPACITY*          |                                    |                      |
|---|------------------------------------|----------------------|
| Outputting to S-900SA System HDD (135F) |                                    |                      |
| Output Image Size                       | Scanning Resolution (pixels/image) | Capacity (frames/hr) |
| 4 Base                                  | 1318 x 1988                        | Approx. 844          |
|   | 4181 x 6305                        | Approx. 333          |
| 16 Base                                 | 1318 x 1988                        | Approx. 844          |
|   | 4181 x 6305                        | Approx. 333          |

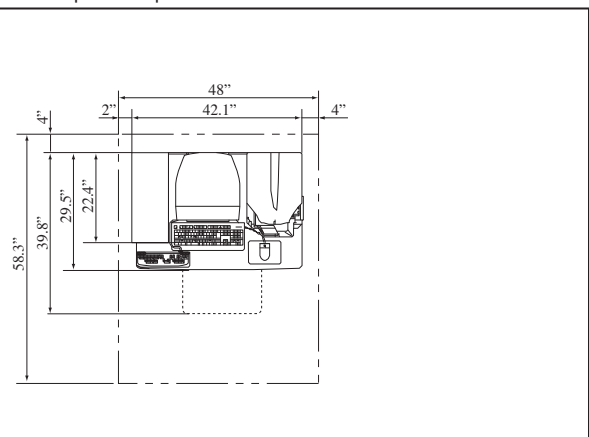
| ESTIMATED PROCESSING CAPACITY*           |                                    |                      |
|--|------------------------------------|----------------------|
| Outputting to S-1700SA System HDD (135F) |                                    |                      |
| Output Image Size                        | Scanning Resolution (pixels/image) | Capacity (frames/hr) |
| 4 Base                                   | 1318 x 1988                        | Approx. 1800         |
|  | 4181 x 6305                        | Approx. 415          |
| 16 Base                                  | 1318 x 1988                        | Approx. 1800         |
|  | 4181 x 6305                        | Approx. 415          |

\*Calculated according to our criteria. The actual capacity you achieve may be different. Specifications are subject to change without notice. Digital Ice is a trademark of Kodak. Rimage is a trademark of Rimage Corporation.

External View



Space Required For Installation



• **Noritsu America Corporation:** 6900 Noritsu Avenue, Buena Park, California 90620-1372 (714) 521-9040 • **Western Regional Office:** 6950 Noritsu Avenue, Buena Park, California 90620-1311 (714) 521-9040 • **Eastern Regional Office:** 336 Route 46 East, Fairfield, New Jersey 07004-2429 (973) 808-9898 • **Midwest Regional Office:** 755 Tollgate Road, Elgin, Illinois 60123-9301 (847) 888-8000 • **Southern Regional Office:** 2989 North Stemmons Freeway, Dallas, Texas 75247-6193 (214) 631-2400 • **Latin America Regional Office:** 1800 N. Commerce Parkway, Suite 2, Weston, Florida 33326 (954) 385-3775 • **Government Sales Office:** 8000 Towers Crescent Drive, Suite 1350, Tysons Corner, Virginia 22182-2700 (703) 821-0007 • **Subsidiary: Noritsu Canada Ltd.:** 2680 Argentinia Road, Mississauga, Ontario, Canada, L5N 5V4 (905) 567-8982 • **Subsidiary: Noritsu de México S.A. de C.V.:** Plaza Mayorazgo de Luyando No. 7, Col. Xoco, Delegación Benito Juárez, C.P. 03330 México, D.F. (52) 5-601-0429

[www.noritsu.com](http://www.noritsu.com)

**NORITSU**

CAT#900SA 4/04 5M